

BEFORE YOU START

**General Site Working**

BS 8000 Workmanship on building sites, Parts 13 through to 16 with respect to above ground drainage and sanitaryware appliances are relevant in general terms.

**Handling and Storage**

Gutters, downpipes and fittings, particularly with polyester powder coat finish should be handled with care and preferably stored under cover on racks to prevent scratching. Whilst not known to pose any health hazard, it is recommended that protective gloves be worn when handling mill finish aluminium.

All lengths are supplied in a protective polythene wrapping with components similarly wrapped and stored in cardboard boxes. If painted product is to be stored outside, cover with tarpaulin to protect against rainfall and direct sunlight as if water gets trapped inside the protective covering and is exposed to warm sunlight then it may leave permanent watermarks on the paint finish. Mill finish items should be stored under cover to avoid uneven oxidization prior to be fitted.

**Cutting and Drilling**

Gutter sections may be cut and drilled on site using standard metalworking tools, however the use of angle grinders is not recommended. Where gutters or fittings are powder coated, then cut edges should be de-burred and then repainted with touch-up paint (available from ARP).

**Gutter Position**

Gutters may be laid to a fall of 1:600 or a maximum of 1:350. Care must be taken to ensure the gutters are not laid too low so rainfall overshoots the gutter, or too high so that damage could be caused by sliding snow. Although at the discretion of the installer and dependant upon local climatic conditions and roof slope/finish, setting out with the front edge of the fascia bracket in line with the pitch of the roof (use straight edge) is a recommended method.

**Gutter Position**

The current recommendations from the Metal Gutter Manufacturers Association (MGMA) is to position gutters as Fig 1.

Fig 1 is more resistant to sliding snow than Fig 2.

There are certain conditions where a Fig 1 installation might allow water to over shoot the gutter or high wind conditions may allow water to blow back behind the gutter.

Fig 1 is the preferred option for the majority of the UK, but the decision should be made based on site conditions. We can provide more detailed advice if required.

**Materials Checklist**

- Spirit level/straight edge
- Suitable screwdriver/attachment
- Sealant caulking gun
- Pencil or chalk
- String or laser line
- Hacksaw/electric jigsaw/chopsaw
- Tape measure
- Small wrench

**Jointing**

Any use of sealant must not be carried out in wet weather or in temperatures below 5°C or above 50°C. All Joint surfaces must be perfectly clean and dry. Only a low modulus sealant (ARP Arbosil 1096) must be used to prevent early failure. Ensure that the gutter joint sockets/spigots are correctly aligned with each other to ensure free thermal movement (3mm) within the gutter joint.

**Fixing**

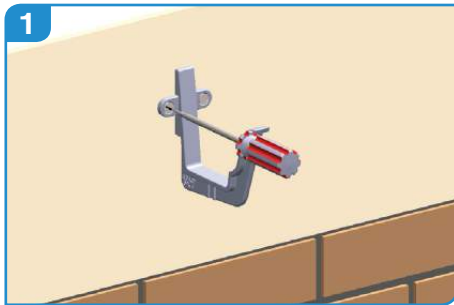
It is important that all fixings are suitable for both the substrate and the load. They must therefore be of the appropriate size and of a compatible material to ensure no electrolytic corrosion occurs. ARP recommends that stainless steel (preferably austenitic) screws must be used to fix gutters, whether direct, fascia or rafter bracket fixed.



## GUTTER FIXING

We advise that you ensure the fixing background (e.g. fascia board) is securely fixed, level and able to support the weight of the gutter at full capacity and that the roof overhang is correct (see gutter position).

Legacy cast aluminium gutters are fitted using fascia brackets. Buildings without fascias may need a different type of bracketry. ARP offers rise & fall brackets and rafter brackets as options, however due of the variety of installations these do not suit BS/EN levels regarding loading, so advice should be sought from ARP on parameters of use.



Start by deciding whether to fit the gutter level or with a fall to 1:600. Fit a bracket at each end of a run. Position brackets correctly for an angle or stopend.

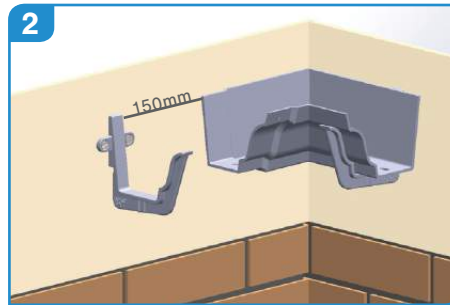
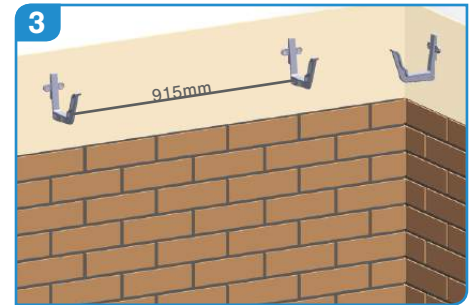
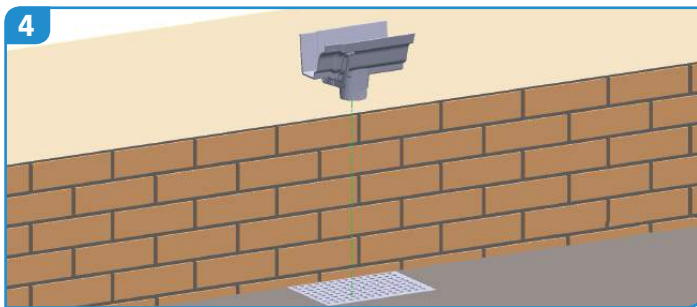


Image 2 shows the ideal bracket positioning for the angle and bracket to take the gutter length. (Max 150 mm from joint).

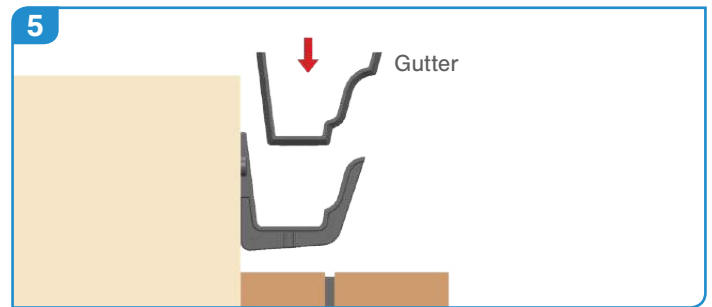


We recommend fixing brackets every 915mm and using an additional bracket for each outlet or angle.

Ideally using a string line or laser level between the two brackets, set out intermediate brackets at maximum centres of 915mm.

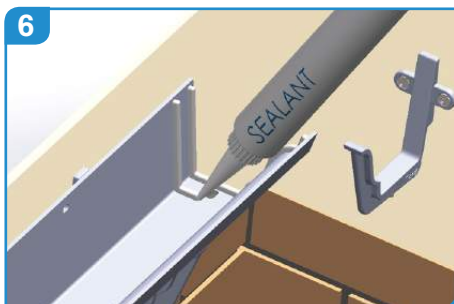


With the use of a plumb or laser line, position outlets over gullies and support with at least one bracket. Also include a bracket per angle (internal or external).



When fitting outlets and angles position the rear face of the gutter underneath the roof finish. Locate the gutter into the fascia bracket and then clip the front edge down into position.

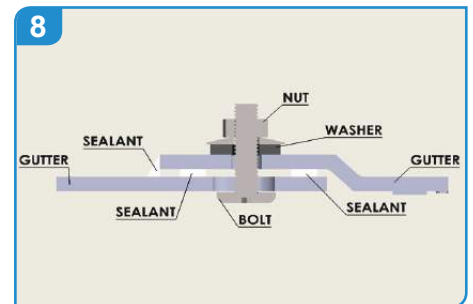
After fitting outlets and angles, proceed with fitting the gutter lengths using the same method.



Ensure that all fixing surfaces are clean and dry. Apply 2 x 6mm beads of low modulus sealant into the plain end of the gutter, place the spigot end of the gutter length into sealant.



Push bolt through the sole of the plain end of the gutter from the underside and position spigot end of gutter directly over joint. Ensure that the slot is filled with sealant before applying nut and washer, gently tighten. **Do not overtighten as this may force the sealant out of the joint.**



Clean off any excess sealant to either side of the joint. Apply additional sealant as required to the internal face only to create a smooth bead.

**N.B. Union connectors are available to allow the use of cut lengths.**



Any cut lengths should be de-burred and touched up with touch-up paint supplied prior to installation. For more information or further assistance, please contact us.