

Saddles for Stormwater Pipes

NEW
PRODUCT

- No adhesives, sealant or concrete required
- Eliminates need to pre-order a factory-made junction
- For use on new or existing drainage systems
- Reduces material and labour costs
- Increases positioning flexibility
- Small and lightweight, easy to transport and handle for quick installation
- Installation unaffected by weather conditions
- Robust and should not be damaged under normal site conditions
- Minimal protrusion into the host collector pipe



The Fernco Storm-T is a lateral pushfit saddle, designed to connect DN150 lateral pipes into primarily structured-wall, twinwall, and smooth wall plastic host pipes.

With an innovative pushfit design, we have created our fastest and most universal saddle to date to ensure the market has an 'off the shelf' solution that keeps installation times and costs to a minimum.

These features include a depth setting mechanism, which allows the user to easily secure the saddle into the optimum position when being installed, allowing the saddle to achieve maximum performance on multiple thicknesses of pipe.

Universal

This design is the first saddle in a range that will be developed and released in the near future. Specific features of the saddle ensure that the unit can securely fit to various types of plastic pipe.

Junction method

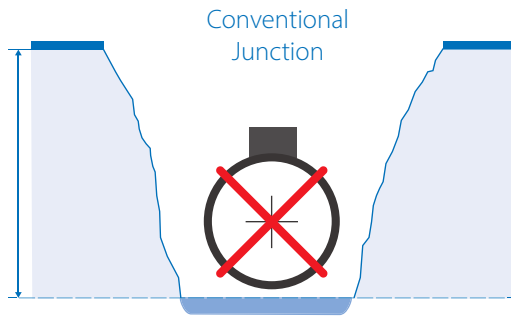
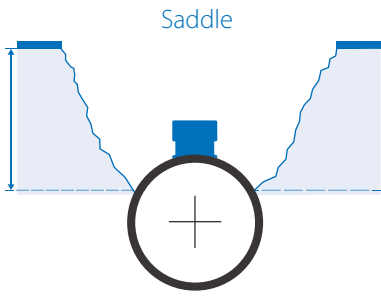
Excavate around the entire external surface of the main pipeline.....Excavate a small top section of the main pipeline

Cut and remove an entire section of the pipeline.....Core a hole into the main pipeline

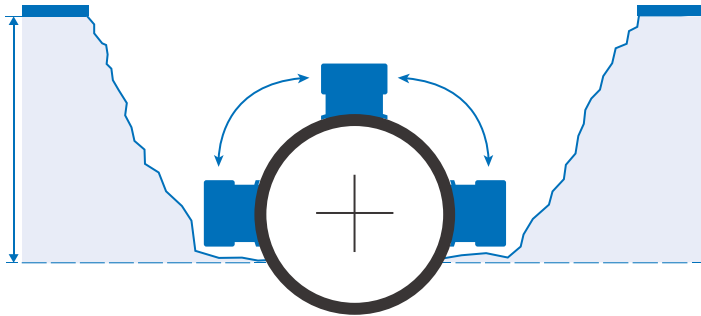
Using appropriate mechanical lifting equipment, lift out the old pipe and lift in and fit a new junction.....Connect a lightweight saddle into the cored hole



Main Benefits of using a saddle over a junction



- Lower materials cost – the larger the pipes the greater the savings become
- Savings in labour time and cost
- Significantly reduced excavation requirements
- No heavy lifting equipment required
- Improved health & safety



- Can be installed at any angle along the top half of the main pipeline.
- Access only required to the installation location, minimises the excavation required.
- The additional flexibility provided allows for the most efficient and effective drainage layout to be utilised.
(Disclaimer: It is important to ensure that the ground is prepared correctly and that suitable bedding and backfill material is used, depending on the soil type and the loading required.)

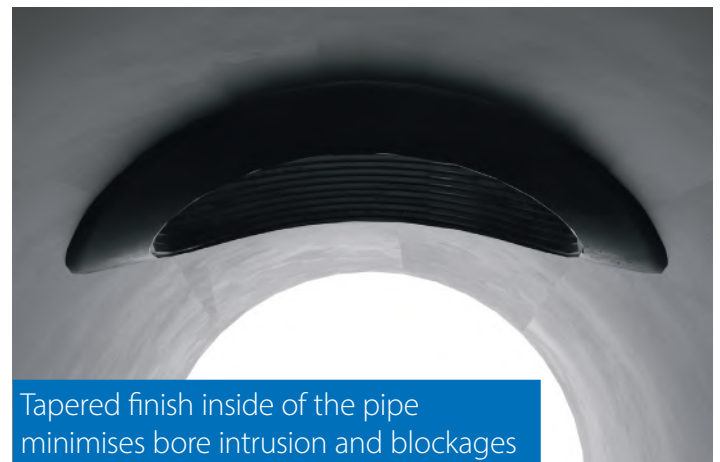
Fernco Storm-T Key features



Depth setting system

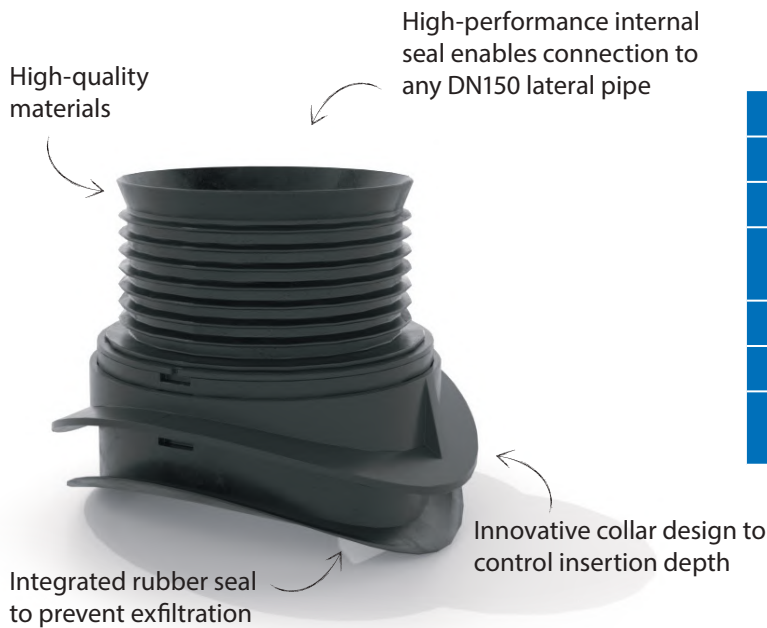


Internal pushfit rubber for universal connection

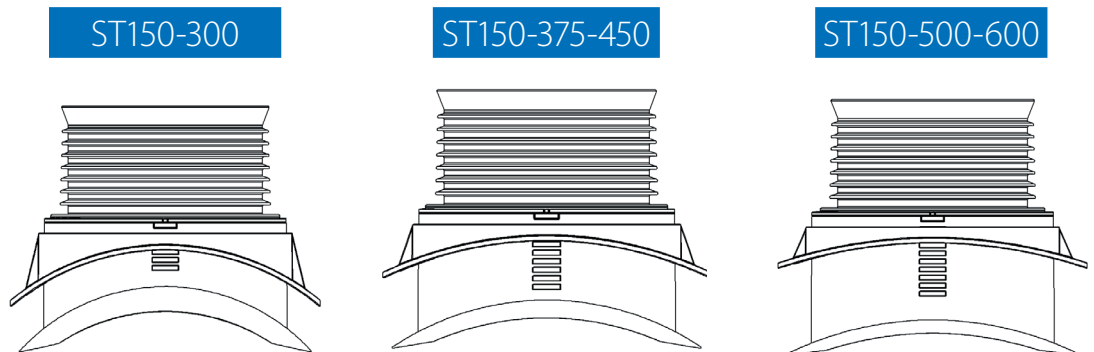


Tapered finish inside of the pipe minimises bore intrusion and blockages

Fernco Storm-T



Product Code	STXXX-XXX
Description	Fernco Storm-T Saddle
Lateral Pipe ID Range	147.5 - 153mm
Material	EPDM ABS plastic
Lateral Pipe Deflection	Max: 4.5°
Pressure Rating	Up to 0.5 bar / 7.25 psi
Standards	BS EN 681-1 BS EN 295



	ST150-300	ST150-375-450	ST150-500-600
Host Pipe	DN300	DN375 - 450	DN500 - 600
Wall Thickness Range	5mm - 30.5mm	5mm - 45mm	10mm - 60mm
Max Host Pipe OD	355mm	540mm	720mm
Drilled Hole Size	177mm (+1mm/-0.5mm)	177mm (+1mm/-0.5mm)	177mm (+1mm/-0.5mm)
Lateral Pipe Size	DN150	DN150	DN150

Installation



5 easy steps

1. Mark and drill a 12mm pilot hole where the saddle is to be fitted. Core the correct size hole into the host pipe. Deburr and clean the hole edges.
2. Separate the Fernco Storm-T components (rubber body, plastic collar, plastic insert with lateral seal if applicable). Fold the rubber in half and push into the hole. Pull the rubber upwards until the outer fin engages the internal surface of the pipe (see 2a). Ensure the slots on the rubber are in line with the length of the host pipe.
3. Align the tabs on the plastic collar with the external slots on the rubber body. Push the tabs on the collar into the installation slot at the top of the body. Continue to push the collar over the body,
4. Apply lubricant to the insert (profiled half only). Align the two notches on the central ring of the insert with the arrows on the collar. Push the plastic insert into the rubber body until its outer edge engages the top of the rubber.
5. Install the lateral pipe. When using a pushfit rubber sleeve, ensure that the tapered edge on the rubber sleeve does not fold back when the lateral pipe is inserted onto the pipe. Lubricant may be required on the rubber.

General Information

Quality, Standards and Approvals

Fernco has been certified by the British Standards Institution (BSI) as a company of assessed capability, with a quality management system which meets the requirements of BS EN ISO 9001:2015

Fernco UK, part of a global group of companies, are the leaders in wastewater connection innovation; utilising the most advanced methods and techniques for precision-manufactured products, all of which comply with or exceed relevant British and European standards to ensure reliability and sustainability.

Environment

Fernco operate Environmental Management Systems which are certified to ISO 14001: 2015.

Supply

Fernco are proud members of the Builders Merchants Federation (BMF). All Fernco products are supplied through a national and global network of distribution and merchant partners. For stockist details, contact Fernco.

Technical Support

Fernco have a team of product experts on hand to support all customers with technical support and advice.

Contact Fernco Technical Department:

Tel: +44 (0) 1226 344 100

Email: technical@fernco.co.uk

Enquiries

UK Sales:

Tel: +44 (0) 1226 340 888

Email: sales@fernco.co.uk

International Sales:

Tel: +44 (0) 1226 344 105

Email: export.dept@fernco.co.uk