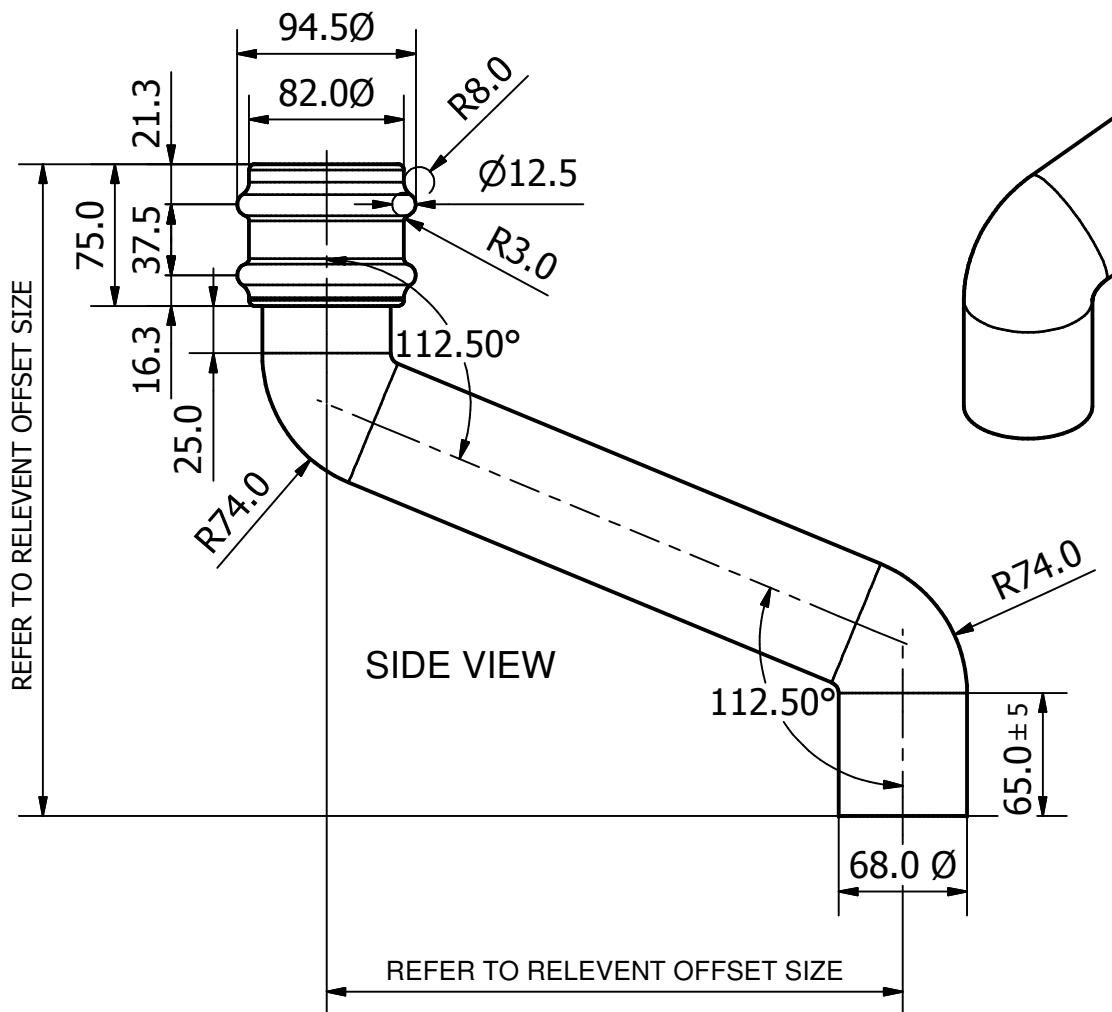
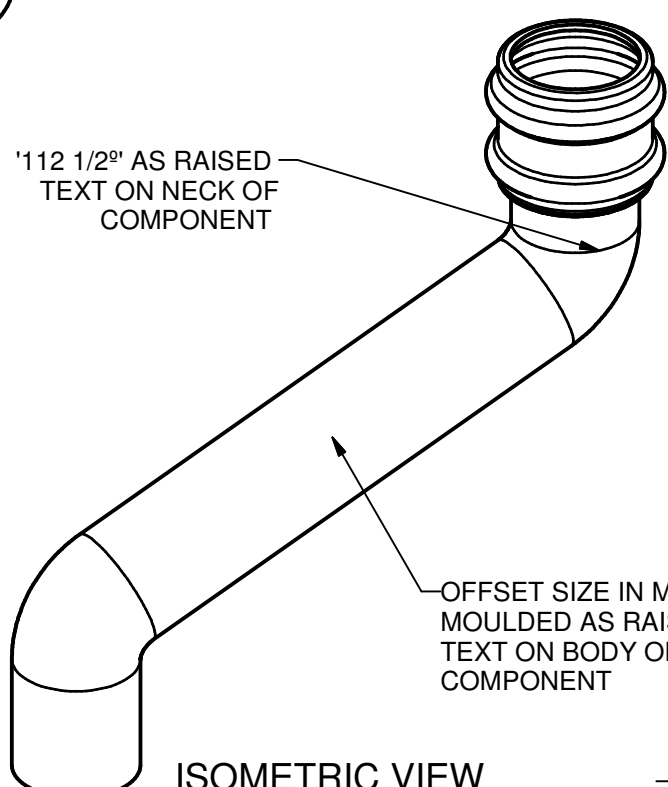


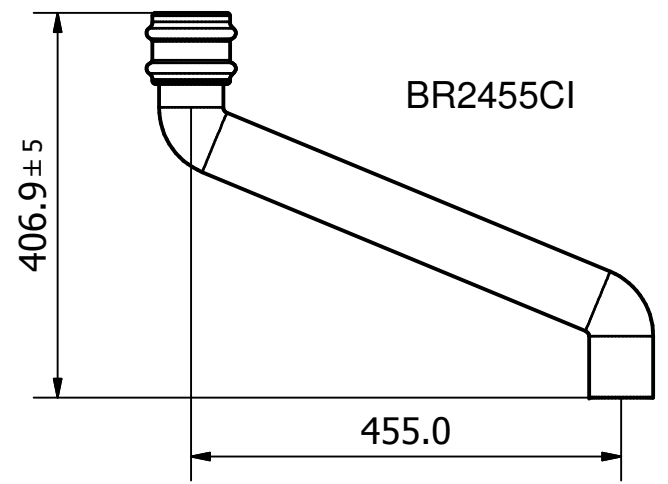
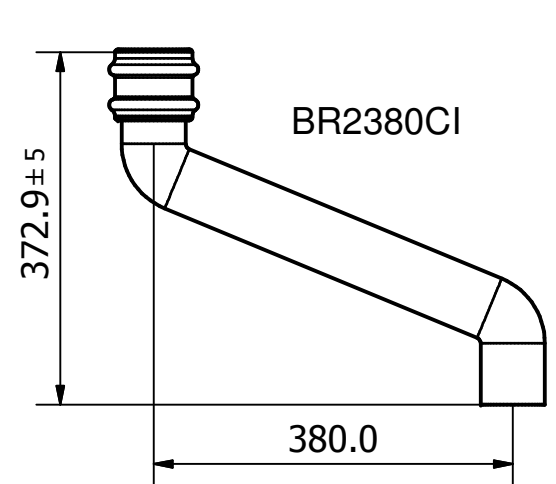
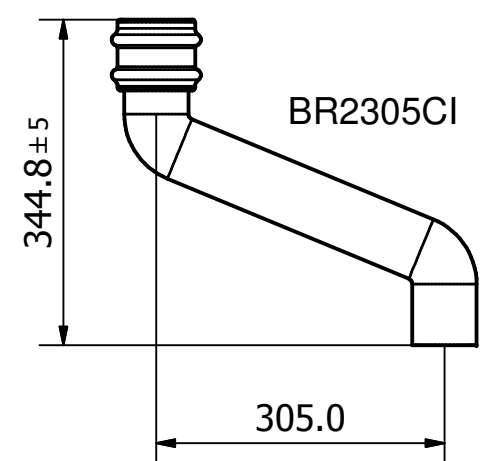
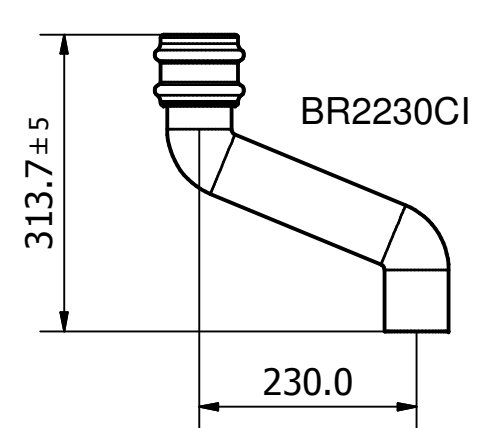
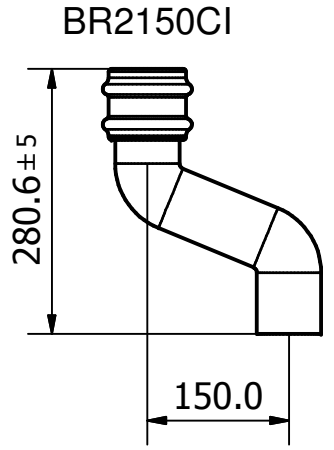
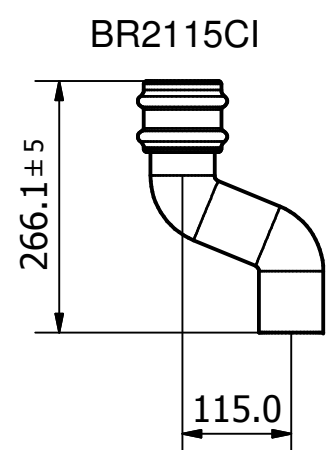
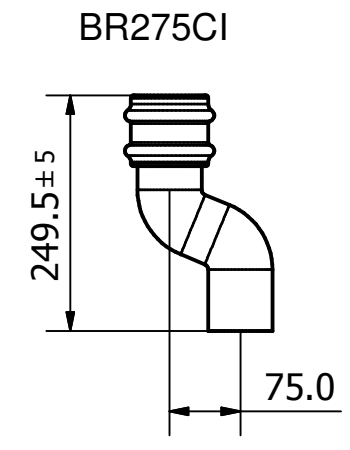
TOP VIEW



SIDE VIEW



ISOMETRIC VIEW



REV.	DATE	DESCRIPTION

BRETT MARTIN LTD.
 STAVELEY,
 DERBYSHIRE,
 ENGLAND,
 S43 3JP
 TEL: 01246 280000
 FAX: 01246 280001

TOLERANCES EXCEPT WHERE OTHERWISE STATED

NOTES
 1. DO NOT SCALE FROM THIS DRAWING
 2. ALL DIMENSIONS IN MM UNLESS OTHERWISE STATED
 3. TOOLMAKER TO CALCULATE SHRINKAGE REQUIRED TO ENSURE ACCURACY OF FINISHED COMPONENT

MATERIAL -
 DATE: 07/03/07
 SIZE: A4

TITLE: 75-115-150-230-305-380-455mm Offsets
 DRAWN BY: CHRIS GOODWIN
 APPROVED BY:
 SCALE: N.T.S

DRAWING No.
0017 A4