



lindab magestic | the king of galvanised gutters



10
YEAR
WARRANTY

Lindab**Magestic**™

The King of Galvanised Gutters

Available from: Drainage Central
Tel: 03302 230 275
Web: www.drainagecentral.co.uk
Email: sales@drainagecentral.co.uk



We're here to help

At Lindab Building Products, our aim is to match the reliability of our products with that of our service. Customer support is a core part of our business philosophy.

Our customers are the people we meet on a daily basis, rather than the companies they work at. It is alongside all these people – designers and architects, fitters and installers – that we have built our trust. Lindab is a partner you can trust. Our relations are based on an in-depth understanding of the challenges our customers face. We create our solutions based on these needs and challenges.



LindabMagestic™

The elite magnesium galvanised steel rainwater system

Lindab Magestic is an improved galvanised steel material for rainwater system and standing seam applications. Magestic offers the same trusted Lindab product designs with a strengthened magnesium zinc alloy coating.

Elite Galvanisation

New technology has allowed the material to be developed using magnesium to create a stable barrier to protect zinc's porous structure against corrosion factors.

Proven Protection

Salt spray tests demonstrate the highest surface protection of any metallic coated steel. Magestic has more than twenty times the corrosion resistance of hot dipped galvanised steel.

Reduced Coastal Corrosion

Magestic corrosion is not influenced by the chlorine content of the environment. Natural exposure tests demonstrate more than three times the corrosion resistance of standard galvanisation in marine environments.

Self Healing

Galvanised coatings migrate to repair red rust on cuts and scratches. Magnesium is more anodic than zinc making the sacrificial properties of Magestic more active than standard galvanisation.

Lower Environmental Impact

Galvanised steel is already the most environmentally friendly material used in rainwater systems. Magestic has a reduced impact on zinc resources and less than 25% zinc run off into soils compared to hot dipped galvanised steel.

Agers Beautifully

Unpainted metal gutters naturally weather organically adjusting to the installation environment. Magestic settles to an attractive dark grey metallic appearance within 3-5 years after installation.

10 year warranty

Lindab Magestic products all come with a 10 year warranty.

Lower Price

Efficiency improvements in production mean that savings can be passed to you. Magestic is the lowest price Lindab rainwater system.



Available from: Drainage Central
Tel: 03302 230 275
Web: www.drainagecentral.co.uk
Email: sales@drainagecentral.co.uk



Elite Galvanisation

Strengthened magnesium zinc alloy coating, same trusted Lindab product design.

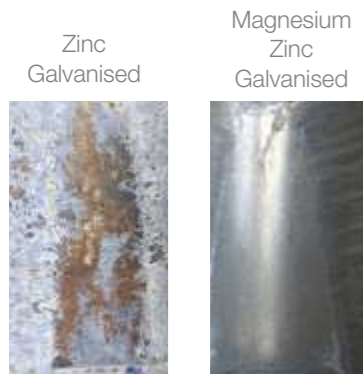
New Material Technology

The zinc coating composition used for Magestic is strengthened with 3% magnesium and 3.5% aluminium. Hot dipped zinc galvanised coatings have a porous structure, magnesium creates a compact structure with high corrosion inhibition and creates a stable barrier against corrosion factors.

Proven protection

Highest surface protection rating of any metallic coated steel

Salt spray tests demonstrate more than 20 times the corrosion resistance of hot dipped galvanisation (ISO 9227).



After 6 weeks salt spray test

Self-Healing

Improved cut edge protection

Galvanised coating migrate to repair red rust on cuts and scratches. Magnesium is more anodic than zinc making the sacrificial properties of the Magestic coating more active than a zinc galvanised coating. The self-healing effect remains on heavy gauge Magestic material above 5mm.



Reduced coastal corrosion

Ultimate resistance in aggressive environments

Natural exposure tests demonstrate more than 3 times the corrosion resistance of standard galvanisation in marine environments.

Exceptionally Environmentally Friendly

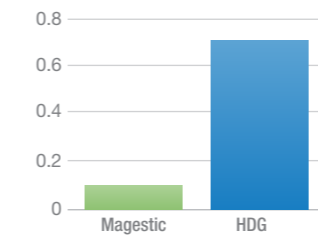
Reduced zinc resource consumption

Galvanised steel is already the most environmentally friendly material used in rainwater systems, Magestic has a reduced impact on zinc resources.

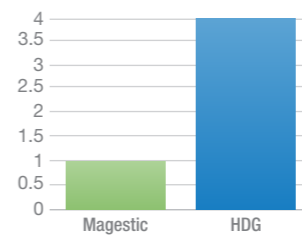
Adding a minor factor of magnesium to the zinc dramatically improves performance enabling reduced coating thickness.

Less than 25% zinc run off into soils compared to hot dipped galvanised steel.

Mass loss in alkaline environment (pH11.7-5% ammonia)



Runoff rate in C4 Maritime environment (g/m²/year)



Ages Beautifully

Natural weathering effect

Unpainted metal gutters naturally adjust to the installation environment

Magestic settles to an attractive dark grey metallic appearance within 3-5 years after installation

Initial Look



After 6 months



After 4 years



Available from: Drainage Central
 Tel: 03302 230 275
 Web: www.drainagecentral.co.uk
 Email: sales@drainagecentral.co.uk

Magestic rainwater system components



Also Available

Lindab Rainline rainwater system with a durable heavy duty polyester coating in 11 standard colours as well as plain galvanised, Aluzinc and natural copper finishes. Vandal reinforced pipes are available in all standard colours plus hot dipped galvanised and stainless steel material options.

Sizing and Installation

Our *Simplifying the Science* guide to calculating the correct gutter and pipe size for your project and further installation advice is available on request or can be found on pages 14-17 of the Rainline trade price list.

Available from: Drainage Central
 Tel: 03302 230 275
 Web: www.drainagecentral.co.uk
 Email: sales@drainagecentral.co.uk

Half Round Gutters and Fittings

R Half Round Gutter 3m



Product	Size (mm)	Express
R3100MG	100	ⓄEx
R3125MG	125	ⓄEx
R3150MG	150	ⓄEx

R Half Round Gutter 2m

Product	Size (mm)	Express
R2100MG	100	
R2125MG	125	
R2150MG	150	

RSK Gutter Joint with Rubber Seal



Product	Size (mm)	Express
RSK100MG	100	ⓄEx
RSK125MG	125	ⓄEx
RSK150MG	150	ⓄEx

RG Self-Locking Stop End




Product	Size (mm)	Express
RG100MG	100	ⓄEx
RG125MG	125	ⓄEx
RG150MG	150	ⓄEx

RVI Internal 90° Gutter Angle



Product	Size (mm)	Express
RVIS100MG	100	ⓄEx
RVIS125MG	125	ⓄEx
RVIS150MG	150	ⓄEx

RVI Internal 135° Gutter Angle




Product	Size (mm)	Express
RVIO100MG	100	ⓄEx
RVIO125MG	125	ⓄEx
RVIO150MG	150	ⓄEx

RVY External 90° Gutter Angle



Product	Size (mm)	Express
RVYS100MG	100	ⓄEx
RVYS125MG	125	ⓄEx
RVYS150MG	150	ⓄEx

RVY External 135° Gutter Angle




Product	Size (mm)	Express
RVYO100MG	100	ⓄEx
RVYO125MG	125	ⓄEx
RVYO150MG	150	ⓄEx

OMV/OK Gutter Outlet



Product	Size (mm)	Express
OMVA100MG	100x75	ⓄEx
OMVB100MG	100x87	ⓄEx
OMVA125MG	125x75	ⓄEx
OMVB125MG	125x87	ⓄEx
OMVC125MG	125x100	ⓄEx
OKA125MG	150x75	ⓄEx
OKB125MG	150x87	ⓄEx
OMVC150MG	150x100	ⓄEx

KFK Fascia Bracket*



Product	Size (mm)	Express
KFK100MG	100	ⓄEx
KFK125MG	125	ⓄEx
KFK150MG	150	ⓄEx

KPK Lightweight Fascia Bracket



Product	Size (mm)	Express
KPK125MG	125	ⓄEx
KPK150MG	125	ⓄEx

*Marked items are manufactured in zinc galvanised steel tested to Magestic standard and covered by Magestic Warranty.

Product images are for visualisation of the product only and the texture/surface colour and design may vary from those shown.